

Peveeta Hermetically Sealed Sliding Door

In healthcare and life sciences, patient safety, hygiene, and a safe environment are the most crucial elements. At Peveeta, we ensure optimum safety standards, allowing our customers to rely on our top-quality steel doors with complete confidence. Considering the high-risk nature of patient safety, especially in OT rooms and critical healthcare areas, maintaining the highest level of hygiene with controlled airflow is essential.

Peveeta hermetically sealed steel doors are designed for critical applications such as Operation Theatres, ICUs, X-ray Rooms, Post-Operative Rooms, and sterile passage areas.

The Peveeta Health Series doors are 100% hermetically sealed and compliant with EN 12207 standards, preventing cross-contamination and helping reduce the cost of clean air by minimizing the time required to build air pressure inside the OT.



Automatic or manual sliding door option



Hygienic, anti-bacterial flat surface finish



Enhanced safety with photocell sensor



Airtight performance compliant with EN 12207 standard



Noise insulation up to 28 dB



Technical Specifications

Dimensions Available CW: 1200 to 1800mm CH: 1500 to 2100mm Special dimensions on request

Automation (Optional): Microprocessor based controller. Equipped with multi control options.

Accessories (Optional): View panel
Touchless switch
Foot switch
Overhead sensor
Locking system

Finishes:

High Pressure Laminate (HPL)
Stainless Steel (SS)
Solid Mineral Surface (SMS)

Door Leaf

The door leaf has thickness of 60mm with PIR core (CFC free) with high-pressure laminate (HPL) on both sides conforming to EN 438-3:2005. The door profile are flushed with door leaf in Aluminium Alloy, Grade 6063, Temper T6 natural anodized finish.

Sealing

Easily replaceable all around EPDM gasket. When closed, the EPDM gasket is pressed against the frame to make sure perfect sealing.

Wall Frame

Aluminium Alloy, Grade 6063, Temper T6 in Natural Anodized 20µm.

Vision Panel

Double Glazed IG unit with 5mm tempered glass on both sides.

Lever Handle

Solid AISI 304 Grade Stainless Steel with rubber spring system

Rail

Aluminium Alloy, Grade 6063, Temper T6 Natural Anodized. single length upto 1800mm wide doors 45° indentations with simultaneous "down and in" movement.

Rollers

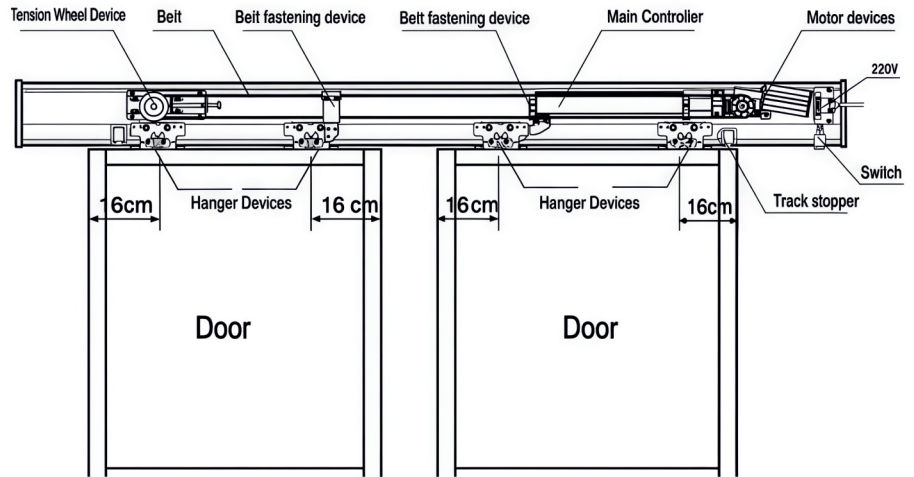
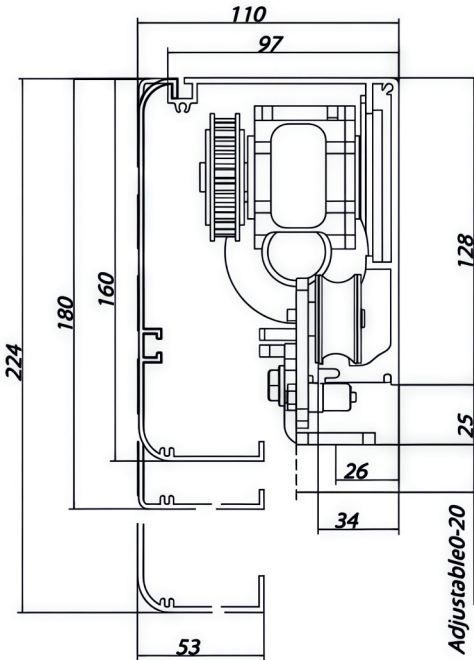
Special Grade Self-lubricating PA

Noise Insulation

28 dB

Air Permeability

Air tightness to an overpressure of upto 100 Pa



PEVEETA METALSMITH

Coimbatore, Tamilnadu, India

info@peveeta.com

+91 95001 69299, +91 98431 05599

www.peveeta.com

